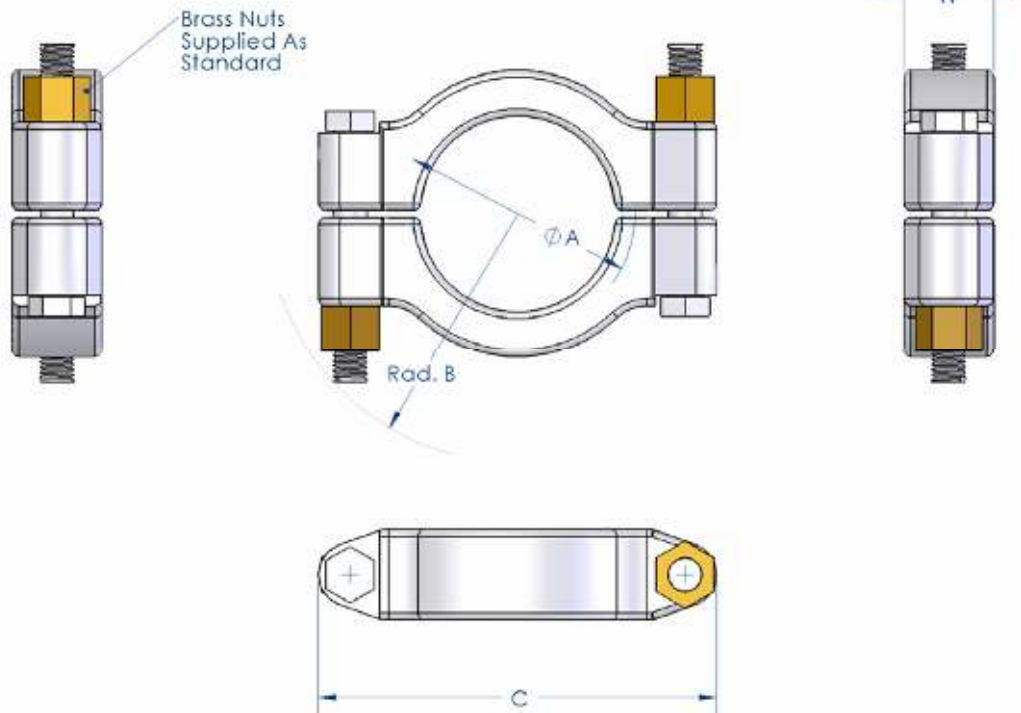


**HYGIENIC
CLAMPS
SSH-TYPE**

Material	304/1.4301
Application	Heavy Duty
Hinge Lay-Out	Separate Segments

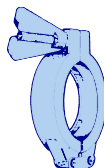


SSH TYPE CLAMP						
Nominal Clamp Size	Dimension (mm)				Mass (Kg)	Ordering Codes SSH 304 Mat'l
	Flange ϕA	Rad. B	Length C	Width W		
1/2" - 3/4"	25.4	34.0	65.0	16.0	0.16	C005.6.SSH
DN 10/15/20	34.0	39.0	74.0	18.0	0.22	CALL FACTORY
1"-1 1/2"	50.5	60.0	103.0	26.0	0.66	C010.4.SSH
2"	64.0	67.0	113.0	26.0	0.82	C020.4.SSH
2 1/2"	77.5	75.0	128.0	26.0	0.94	C025.4.SSH
3"	91.0	80.0	137.0	26.0	1.02	C030.4.SSH
3 1/2"	106.0	88.0	150.0	26.0	1.07	C035.4.SSH
4"	119.0	93.0	165.0	26.0	1.27	C040.4.SSH
4 1/2"	130.0	97.0	174.0	26.0	1.33	C045.4.SSH
6"	167.0	132.0	240.0	26.0	1.93	C060.4.SSH
6 5/8"	183.0	142.0	260.0	26.0	2.11	C066.4.SSH
8 5/8"	233.0	168.0	318.0	26.0	2.52	C086.4.SSH

Stainless Steel Nuts Can Be Supplied As Direct Replacements To The Standard Brass Nuts

Nitronic 60 Nuts available for additional charge

L.J. STAR INCORPORATED
P.O. Box 1116 * Twinsburg, OH 44087
Tel: 330/405-3040 | Fax: 330/405-3070
e-mail: view@ljstar.com
website: www.ljstar.com



LJSTAR
INCORPORATED