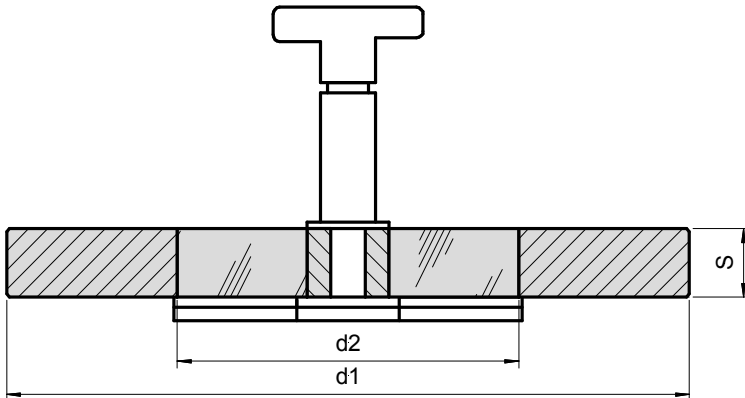


METAGLAS® Sight Glass Discs with Wiper
Type 73.SW

Date: January 2006



Metaglas Sight Glass Discs with Wiper

Wipers may be used to prevent the cristallisation of media onto the glass and to remove dust and dirt. Centrally operated wipers are mounted through the sightglass disc on either DIN 28120 (DN 50 - 200), DIN 11851 (DN 65 - 125) or similar sightglasses

Advantages:

- Security against total failure
- Simple installation
- Can be combined with sight glass luminaries
- Long operating life

Approvals and technical data:

Manufactured and tested in conformance with:

- Pressure Equipment Directive 97/23/EG 02/98, Module H (DIN/EN/ISO 9001)
- AD2000 Standards W0/TRD 100
- Sight glass fused to metal conforming to DIN 7079
- PN10 to PN16, higher pressure ranges possible
- Max. operating temperature 150 ° C
- Ring materials 1.4462, 2.6402, 2.4605, 2.4610 amongst others
- Gland material 1.3912 (Alloy 36)
- Glass quality: Borosilicate to DIN 7080 / DIN 7079

Material certificates

Certificate of conformity to EN 10204-3.1B or 3.1A

Technical data – wiper:

- Wiper blades silicon rubber, PTFE, and others
- All product contact parts are of stainless steel
- O rings – VITON

Ring materials	Operating temperature
Carbon Steel (1.0570)	-10°C to +150°C
Duplex Stainless Steel (1.4462)	-30°C to +150°C
Hastelloy C-22 (2.4602)	-60°C to +150°C
Alloy 59 (2.4605)	-60°C to +150°C
Hastelloy C-4 (2.4610)	-60°C to +150°C

d1	d2	Pressure rating	
		10 bar	16 bar
		S	
80	45	12	12
100	55	15	15
125	65	15	20
150	70	20	25
175	80	20	25
200	100	25	30
250	120	30	30