

VISULEX Cameras K55-HD-Ex and K55-4K-Ex



II 2G Ex db IIC T6 Gb
II 2D Ex tb IIIC T80°C Db

- **Camera with fixed lens K55-HD-Ex/K55-4K-Ex**
With these standard cameras, the lens is permanently adjusted to the object to be observed during installation (outdoor area/outdoor plant or process parts such as boilers or agitators).
- **Design and application:**
 - Pressure-resistant stainless steel housing with built-in colour CCD camera, 1/2.8", 0.08 Lux light sensitivity at F2.2; 40 IRE
 - Approved for Ex zones 1 and 2 as well as zones 21 and 22
 - Protection class IP 65
- **Application temperature range:** -10°C to +40°C
- **EU type examination certificate:** BVS 15 ATEX E 056 X
 II 2G Ex db IIC T6 Gb
 II 2D Ex tb IIIC T80°C Db
- **Type of protection:** Ex d
- **Explosion groups:** IIC (includes IIA and IIB)
IIIC (includes IIIA and IIIB)
- **Lenses with focal length:** 2.3
Minimum distance lens to object: 0.3 m
- **Electrical connection:**
via the network cable (POE)
IEEE 802.3af (12 V DC – 5W)
- **Specification:**
Image resolution max. 1920 x 1080 p/30 fps or 3840 x 2160 p

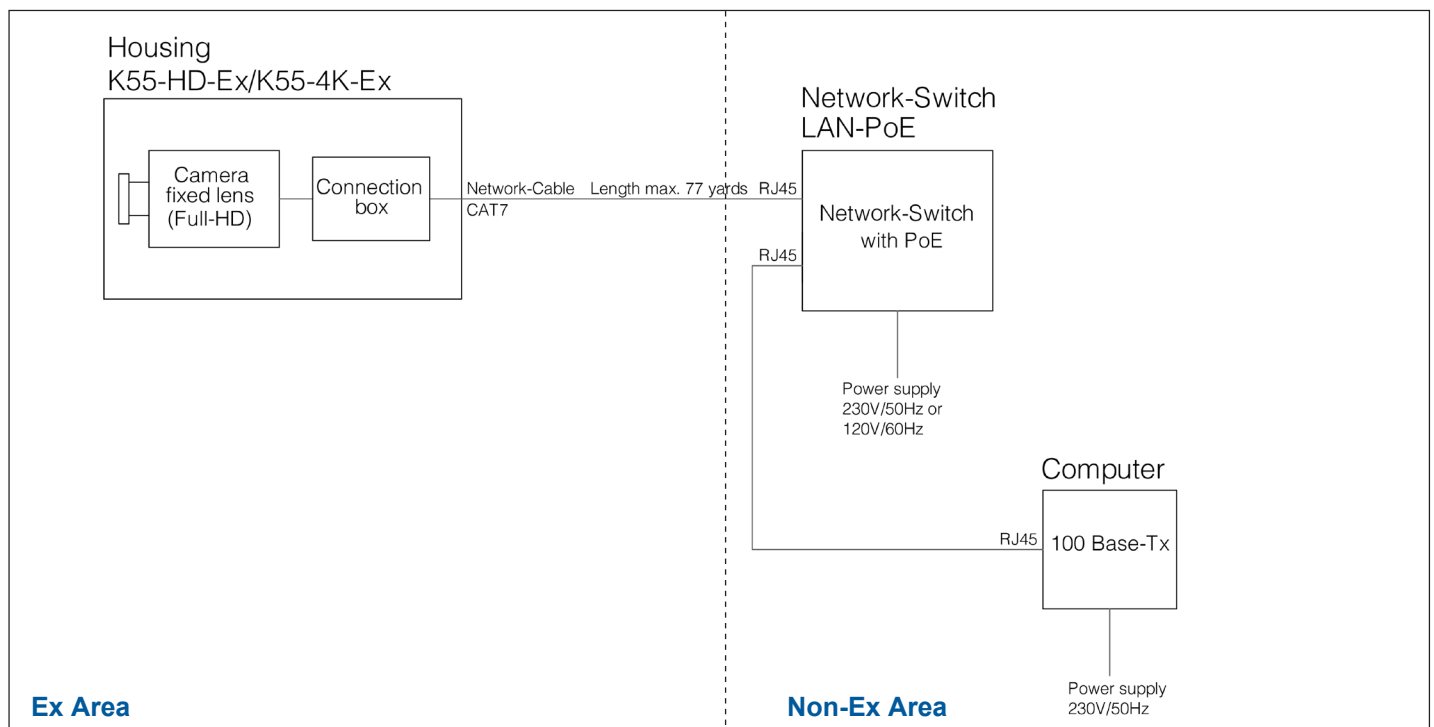
CE 0158

3755.670

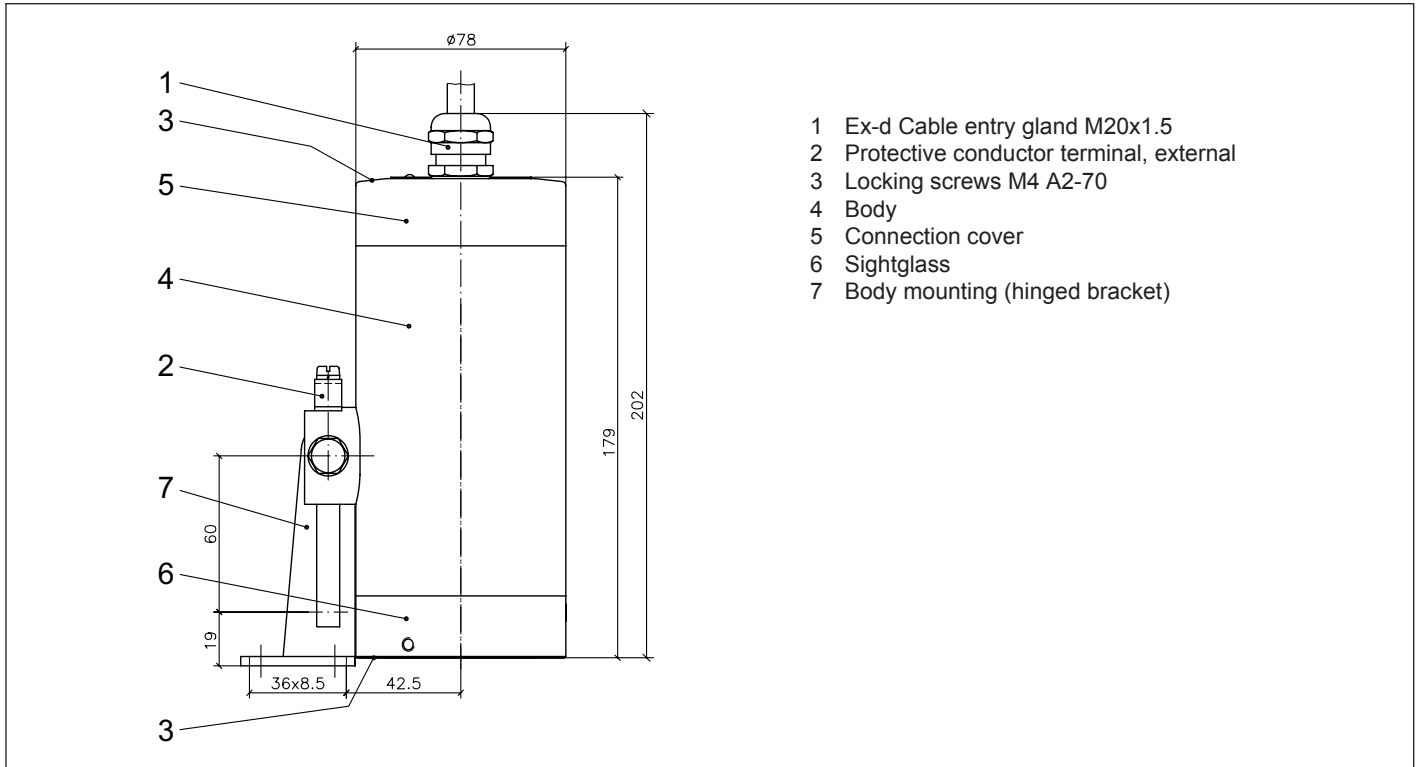


VISULEX camera K55-HD-Ex
mounted on a flange with a hinged bracket

- **Control line:**
Network cable cat. 7 Flex, max. 70 m, 4x2xAWG 26,
part no. L#3461.002.00
- **Weight:**
3.2 kg without network cable



• **Dimensions and technical data for VISULEX Cameras K55-HD-Ex and K55-4K-Ex:**



- 1 Ex-d Cable entry gland M20x1.5
- 2 Protective conductor terminal, external
- 3 Locking screws M4 A2-70
- 4 Body
- 5 Connection cover
- 6 Sightglass
- 7 Body mounting (hinged bracket)

• **Mounting:**

Similar to the internationally renowned Lumistar luminaires, the camera is secured to the cover flange of a circular sight glass fitting (to DIN 28120 or similar) using the hinged bracket included in the scope of supply (hinged bracket 1.4301). Alternatively, the special camera head can be mounted by way of a flanged adapter.

• **Illumination:**

- If there is not sufficient natural light in the vessel, an appropriately dimensioned Lumistar luminaire can be additionally installed.
- A separate arrangement consisting of light glass and camera glass is a further option for consideration. This combination depends on the process and the reactor size as well as on the surface of the vessel, the medium in question, and the angle of incidence.
- Consistently uniform illumination should be ensured.

	VISULEX Camera K55-HD-Ex	VISULEX Camera K55-4K-Ex
MOD (Min. Objekt Distance)	0.3 m	0.3 m
Image sensor	1/2.8" 2.0 MP	1/2.5" 8.29 MP
Resolution max.	1920 x 1080 p	3840 x 2160 p
Light sensitivity	~ 0.08 Lux at F2.2; 40 IRE	~ 0.05 Lux
Frame rate max.	30 fps	30/25 fps
Video compression	H.264, H.265, (+), MJPEG	H.264, H.265, (+), MJPEG
Focal length	2.3 mm; V = 75°, H = 135°	
Network protocol	TCP/IP, UDP, IPv4, IPv6, HTTP, HTTPS, FTP, RTP, UPNP, RTSP, RTCP, DHCP, OpenVPN	TCP/IP, UDP, IPv4, IPv6, HTTP, HTTPS, FTP, RTP, UPNP, RTSP, RTCP, DHCP, OpenVPN
Power supply	12 V – 5 W	12 V – 4.5 W
POE/RJ45	IEEE 802.3af	IEEE 802.3af / 44-57 V DC
ONVIF	ONVIF Profile S	ONVIF Profile S
Web Browser	MS Internet Explorer, Safari*, Mozilla*, Google Chrome*, Edge* (*Setup limited)	MS Internet Explorer, Safari*, Mozilla*, Google Chrome*, Edge* (*Setup limited)

• **Order data:**

e.g. VISULEX camera K55-HD-Ex, cable length 50 m, focal length 2.3 mm

All dimensions in mm unless stated otherwise. Picture credits: ©F.H. Papenmeier GmbH & Co. KG. Subject to change without prior notice. 03.20