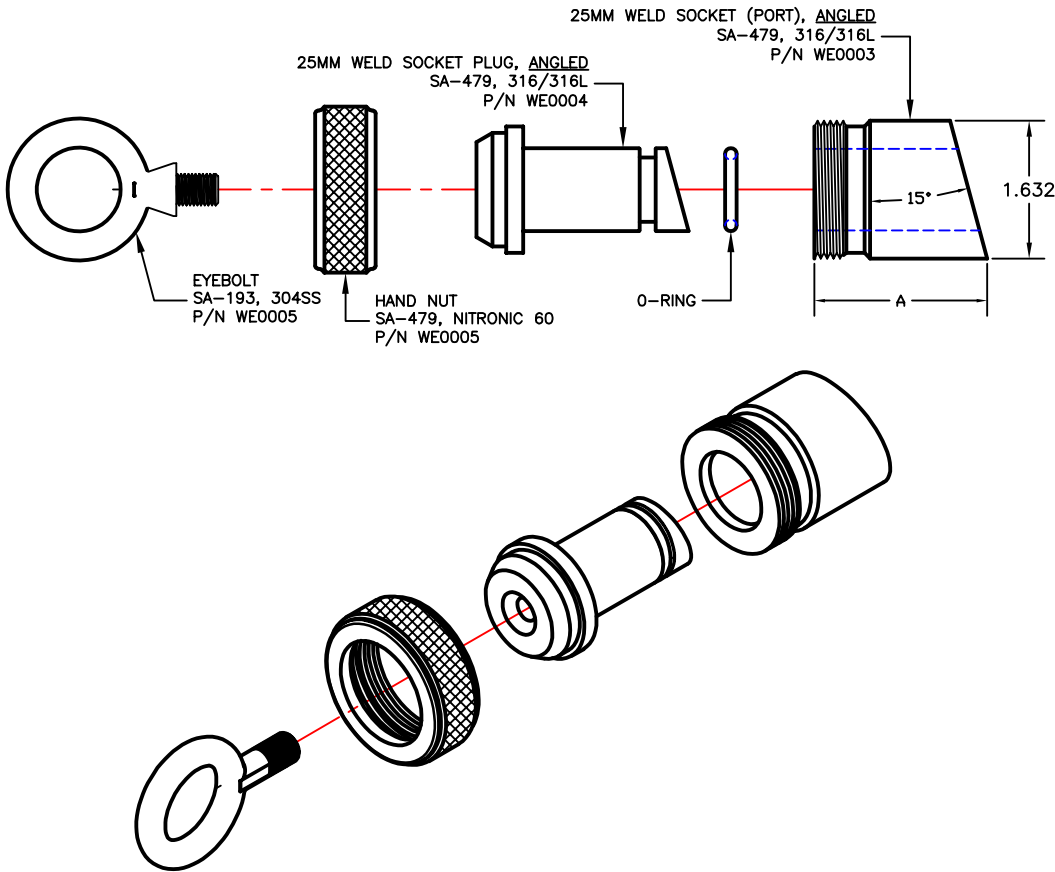
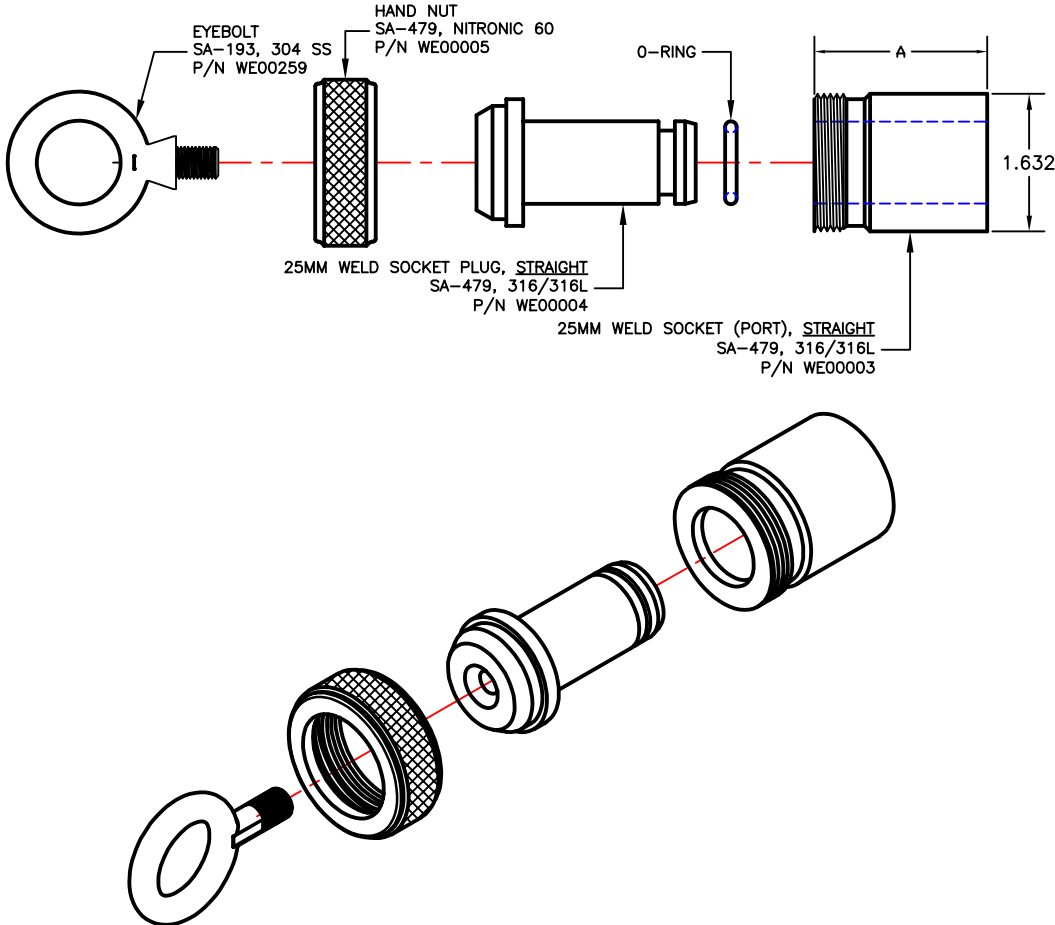


25MM WELD SOCKET ASSEMBLY, ANGLED



25MM WELD SOCKET ASSEMBLY, STRAIGHT



TCI 25MM WELD SOCKET ASSEMBLIES

- Weld Socket Port will be reamed to 0.984 ± 0.002 , after welding.
- Available in STRAIGHT or ANGLED (15°) styles (ANGLED & STRAIGHT components are not interchangeable).
- Custom lengths, angles, and plug modifications are available.
- Alternative materials of construction are available.
- TCI Weld Socket components may not be compatible with other manufacturer's components.
- STYLE & LENGTH of assembly specified when ordering.

WELD SOCKET ASSEMBLY		
SIZE	STYLE	DIM "A"
25MM X 40MM	ANGLED	1.575
25MM X 48MM	ANGLED	1.890
25MM X 50MM	ANGLED	1.969
25MM X 51MM	ANGLED	2.008
25MM X 52MM	ANGLED	2.047
25MM X 55MM	ANGLED	2.165
25MM X 40MM	STRAIGHT	1.575
25MM X 48MM	STRAIGHT	1.890
25MM X 50MM	STRAIGHT	1.969
25MM X 52MM	STRAIGHT	2.047
25MM X 55MM	STRAIGHT	2.165
25MM X 60MM	STRAIGHT	2.362
25MM X 102MM	STRAIGHT	4.016

DRAWN BY: GM DATE: 6/5/20

UNSPECIFIED TOLERANCES
 .X ±.020 FRACTION ±1/32
 .XX ±.010 ANGLE ±1/2°
 .XXX ±.005 SURFACE ±5 RA

THIS DRAWING, OF A CONFIDENTIAL NATURE, IS THE EXCLUSIVE PROPERTY OF TANK COMPONENTS INDUSTRIES, AND MAY NOT BE USED, REPRODUCED, OR DISCLOSED FOR ANY PURPOSE OTHER THAN THAT FOR WHICH IT IS SPECIFICALLY FURNISHED.

2000 N. ALLIANCE AVE.
 SPRINGFIELD, MO 65803
 417.831.5100

TITLE: 25MM WELD SOCKET ASSEMBLY

REV	DESCRIPTION	DATE	DRAWN	SIZE	SCALE	DWG NO.	REV
-	---	--	--	A	--	WE00582	-