

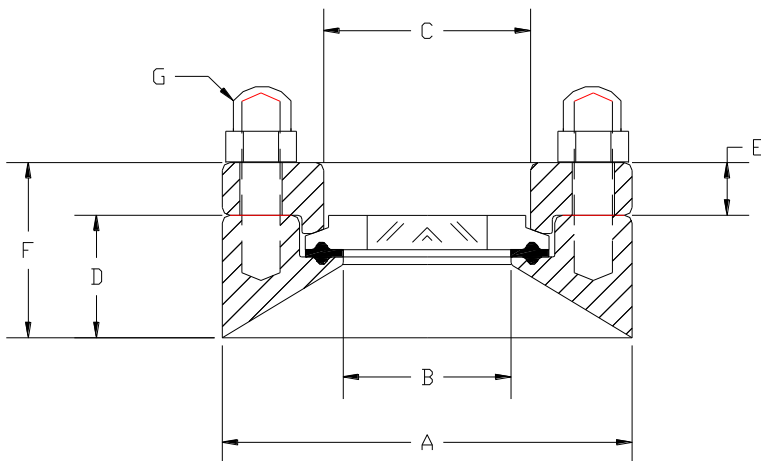


TANK COMPONENTS INDUSTRIES

TCI BoltConnect

Revised: March 20, 2009

Nominal Size	"A" Outside	"B" Inside	"C"	"D" Base	"E" Split Ring	"F" OAH	"G" Bolt Size
1/2"	2.125"	.370"	.813"	1.00" 1.50" 2.00"	.375"	1.375" 1.875" 2.375"	(4) 1/4"
3/4"	2.125"	.620"	.813"	1.00" 1.50" 2.00"	.375"	1.375" 1.875" 2.375"	(4) 1/4"
1"	3.313"	.870"	1.688"	1.00" 1.50" 2.00"	.438"	1.438" 1.938" 2.438"	(4) 5/16"
1 1/2"	3.313"	1.370"	1.688"	1.00" 1.50" 2.00"	.438"	1.438" 1.938" 2.438"	(4) 5/16"
2"	3.875"	1.870"	2.250"	1.00" 1.50" 2.00"	.438"	1.438" 1.938" 2.438"	(4) 5/16"
2 1/2"	4.438"	2.370"	2.750"	1.00" 1.50" 2.00"	.438"	1.438" 1.938" 2.438"	(4) 5/16"
3"	5.125"	2.870"	3.125"	1.00" 1.50" 2.00"	.516"	1.516" 2.016" 2.516"	(6) 5/16"
4"	6.688"	3.834"	4.188"	1.00" 1.50" 2.00"	.495"	1.495" 1.995" 2.495"	(8) 5/16"



MATERIAL TYPE

All Stainless Steel
Nickel Alloy Material

DELIVERY

Stock - Ship same day if necessary
Non-Stock - Please Inquire

OTHER PRODUCTS

Tank Heads
L.J. Star Sightglass and Light Assemblies