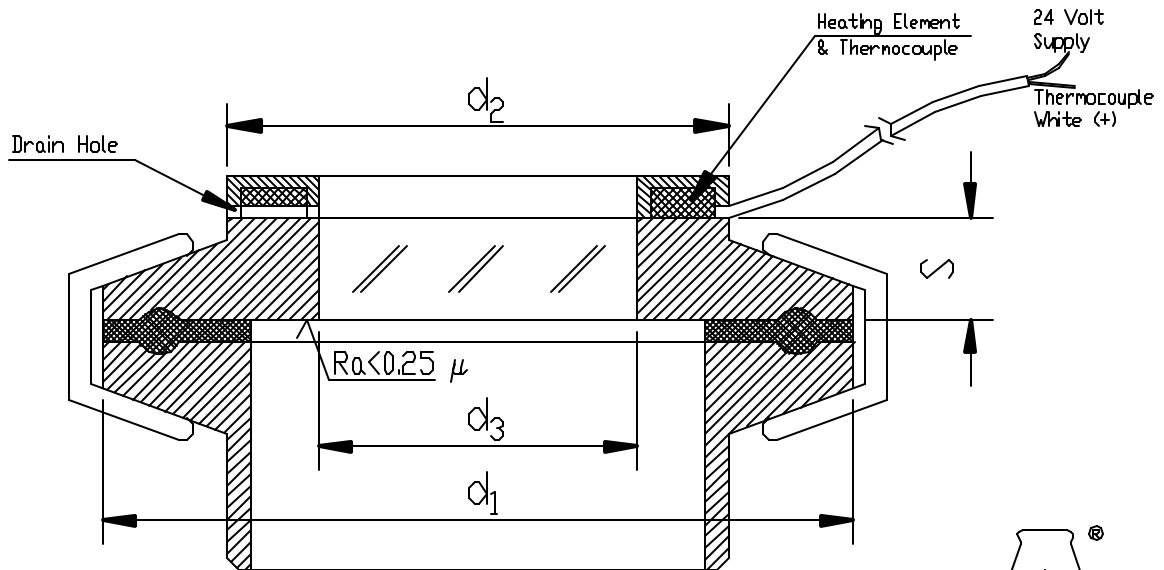


HEATED METACLAMP® DISC

NO. 180-FF



MANUFACTURED AND TESTED IN CONFORMANCE WITH A.D. STANDARDS SERIES H.P. & A.D. STANDARD WD/ TRD 100
 SIGHT GLASS FUSED TO METAL CONFORMING TO DIN 7079
 GLASS: BOROSILICATE (DIN 7080)
 RING MATERIAL: DUPLEX STAINLESS STEEL (1.4462)
 HASTELLOY C-22, C-276, C-4 (NOT 3A APPROVED)
 MAXIMUM ALLOWABLE WORKING TEMPERATURE: 536°F (280°C)

STANDARD TUBE OD	d1	d2	d3	S	MAXIMUM PRESSURE @ 450°F
	INCH (MM)	INCH (MM)	INCH (MM)	INCH (MM)	PSIG (BAR)
3"	3.58 (91)	2.99 (76)	1.57 (40)	0.39 (10)	150 (10)
3 1/2"	4.17 (106)	3.54 (90)	1.97 (50)	0.39 (10)	150 (10)
4"	4.69 (119)	4.02 (102)	2.17 (55)	0.47 (12)	150 (10)
6"	6.57 (167)	5.98 (152)	2.87 (73)	0.63 (16)	90 (6)
8"	8.56 (218)	7.80 (198)	3.94 (100)	0.63 (16)	90 (6)
10"	10.55 (268)	9.65 (245)	4.72 (120)	0.71 (18)	90 (6)
12"	12.56 (319)	11.81 (300)	5.51 (140)	0.79 (20)	90 (6)

		METAGLAS® SIGHT GLASS DISC FOR SANITARY CLAMPS SERIES HEATED METACLAMP		L. J. STAR INCORPORATED	
				P.O. BOX 1116 TWINSBURG, OH 44087 (330)405-3040 * FAX (330)405-3070 WEBSITE: WWW.LJSTAR.COM E-MAIL: VIEW@LJSTAR.COM	
		DATE	NAME		
	DES.				
	CHE'D.				