

Uncompromising levels of quality, safety and technological excellence are standard features in the complete line of L.J. Star Incorporated Bolt On Sight Windows

Description

Bolt On Sight Windows consist of a base with raised face flanges to fit a standard ANSI Class 150 flange nozzle. Sizes range from 2" to 8". The sight glass is clamped in place by a gasketed glass retainer held by threaded bolts. L.J. Star sight windows conform to ASTM standards. Lumiglas illuminators are easily mounted to provide lighted sight ports. Spray rings and wipers are also available.

Materials of Construction

- *Standard alloys*
316 stainless steel; carbon steel
- *Optional alloys*
Monel®; Hastelloy®; Alloy 20
- *Standard gasket materials*
Neoprene; PTFE
- *Optional gasket materials*
BUNA N; Viton®; silicone, graphite, and non-asbestos gaskets



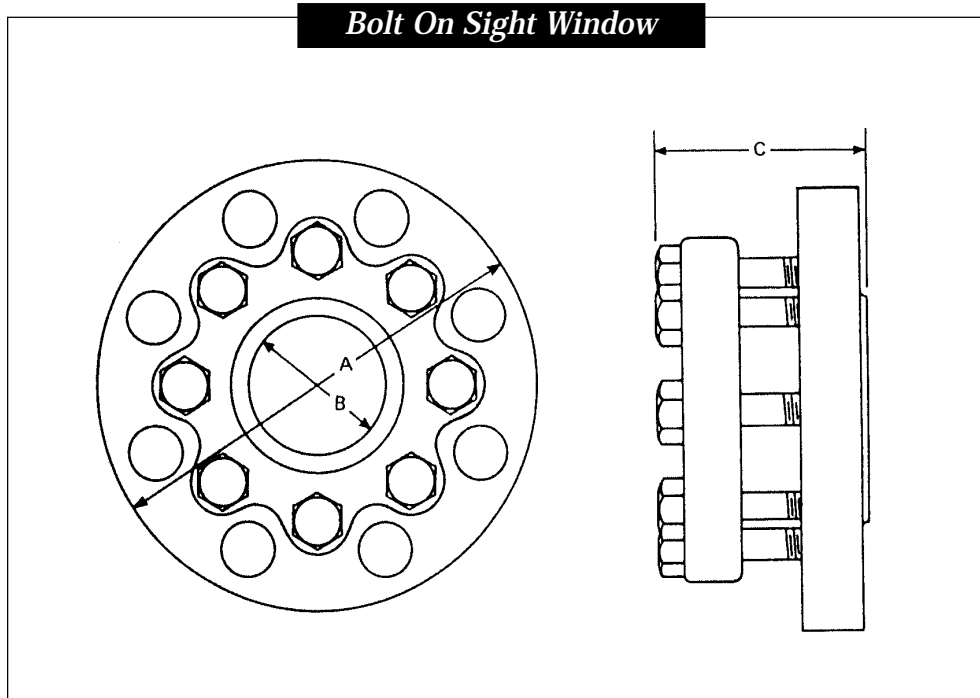
Bolt On Sight Window - ANSI Class 150

Materials of Construction (cont.)

- *Standard Window Material*
Tempered borosilicate sight windows
- *Optional window materials*
Quartz glass for high temperature and thermal shock
- *Cast steel retainers, acrylic coated*
- *Full ANSI Rated*
- *Models available with Metaglas® option*
- *Available PTFE lined*
- *Glass protection shields available*

Ordering Information

Contact your nearest L.J. Star representative



Bolt On Sight Window

Pipe Size	Dimension			Approx. Wt. (Lbs.)	Class
	A	B	C		
2"	6"	1 ³¹ / ₃₂ "	2 ¹ / ₈ "	7	150
3"	7 ¹ / ₂ "	3 ¹ / ₁₆ "	2 ¹ / ₂ "	13	150
4"	9"	4 ¹ / ₁₆ "	2 ³ / ₈ "	18	150
6"	11"	6 ¹ / ₁₆ "	2 ¹⁵ / ₁₆ "	27	150
8"	13 ¹ / ₂ "	8 ¹ / ₁₆ "	3 ¹⁵ / ₁₆ "	43	150

The specifications contained herein are subject to change without notice and any user of said specifications should verify from the manufacturer that the specifications are currently in effect. Otherwise, the manufacturer assumes no responsibility for the use of specifications which may have been changed and are no longer in effect.